

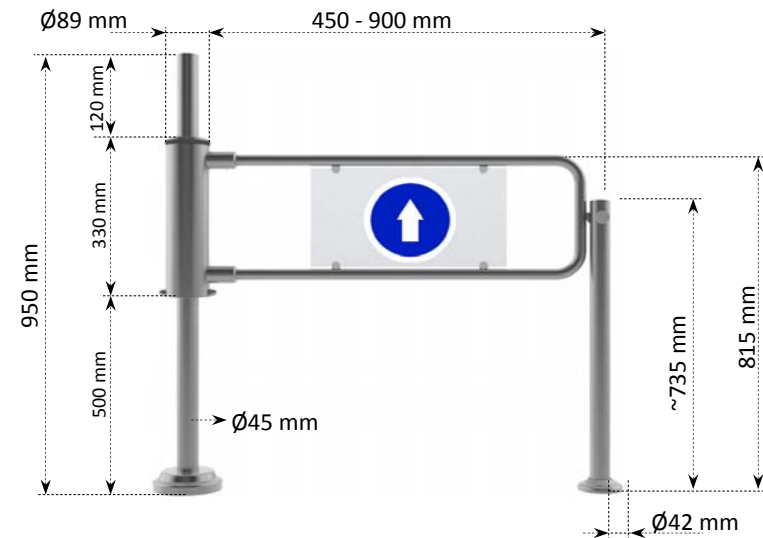
# SWG-101

## MANUAL LOCKED



### Technical Specifications

Power Supply	: None
Arms	: Ø25x2mm wing flap welded at one point 304-Grade Stainless Steel
Dimensions	: 950mm x Ø89mm + Arm length (450-900mm)
Weight	~15 kgs
Body Features	: Ø89x3mm. 304-Grade Stainless Steel
System Features	: Being activated through a push effect externally Locking system is manual. Stopping system is equipped with string. Can rotate 90 degrees.



# SWG-101

ELECTRO-MAGNETIC LOCKED



## Technical Specifications

Power Supply	24v DC. (250 mA) for the lock
Arms	: Ø25x2mm wing flap welded at one point 304-Grade Stainless Steel
Dimensions	: 950mm x Ø89mm + Arm length (450-900mm)
Weight	: ~15 kgs
Body Features	: Ø89x3mm. 304-Grade Stainless Steel
System Features	: Being activated through a push effect externally Locking system is manuel. Stopping system is equipped with string. Can rotate 90 degrees. Electro-magnetic lock is working with 24V. The wing free themselves to allow free passageway.

